

Service
Service
Service



Service Manual



CONTENTS

Block diagram 1-1
 Wiring diagram 2-2

Circuit Diagram

 Control board 3-1
 Tape board 4-1

 Tuner board 5-1
 Power part 6-1

 VCD board 7-1

layout diagram

 VCD board 7-2

 Exploded view diagram 8-1

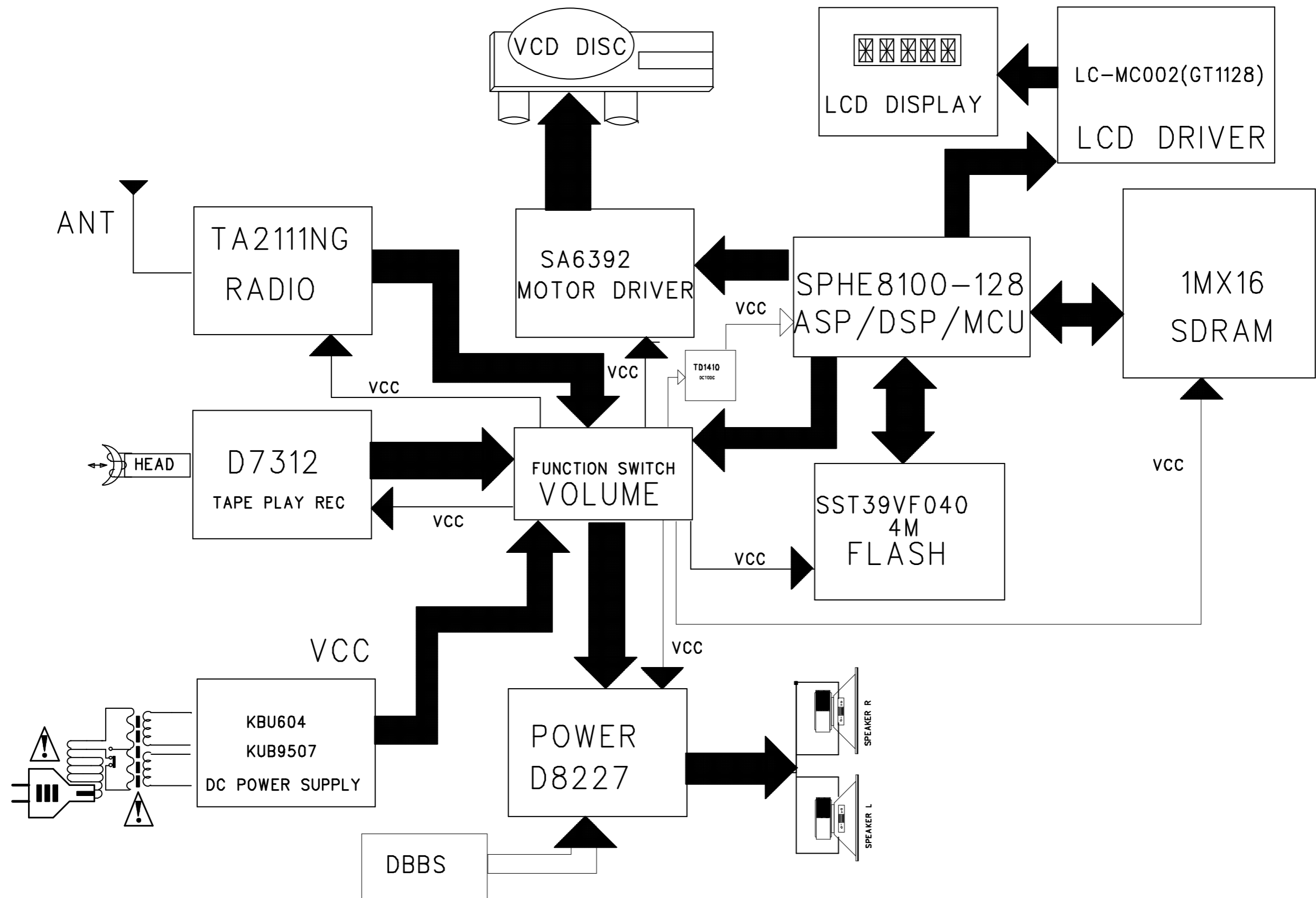
 Service parts list 9-1



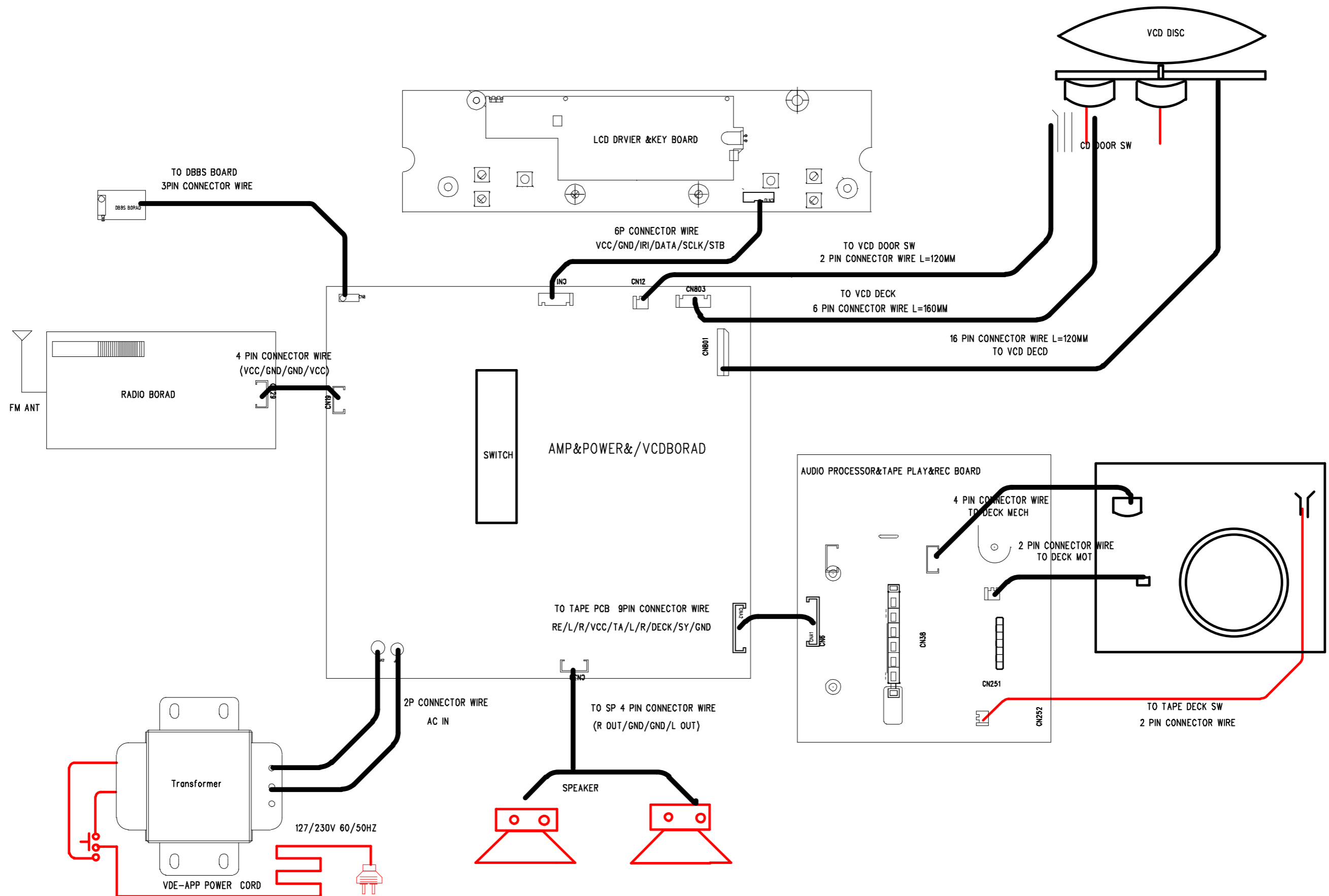
© Copyright 2007 Philips Consumer Electronics B.V. Eindhoven, The Netherlands
 All rights reserved. No part of this publication may be reproduced, stored in a retrieval system or transmitted, in any form or by any means, electronic, mechanical, photocopying, or otherwise without the prior permission of Philips.



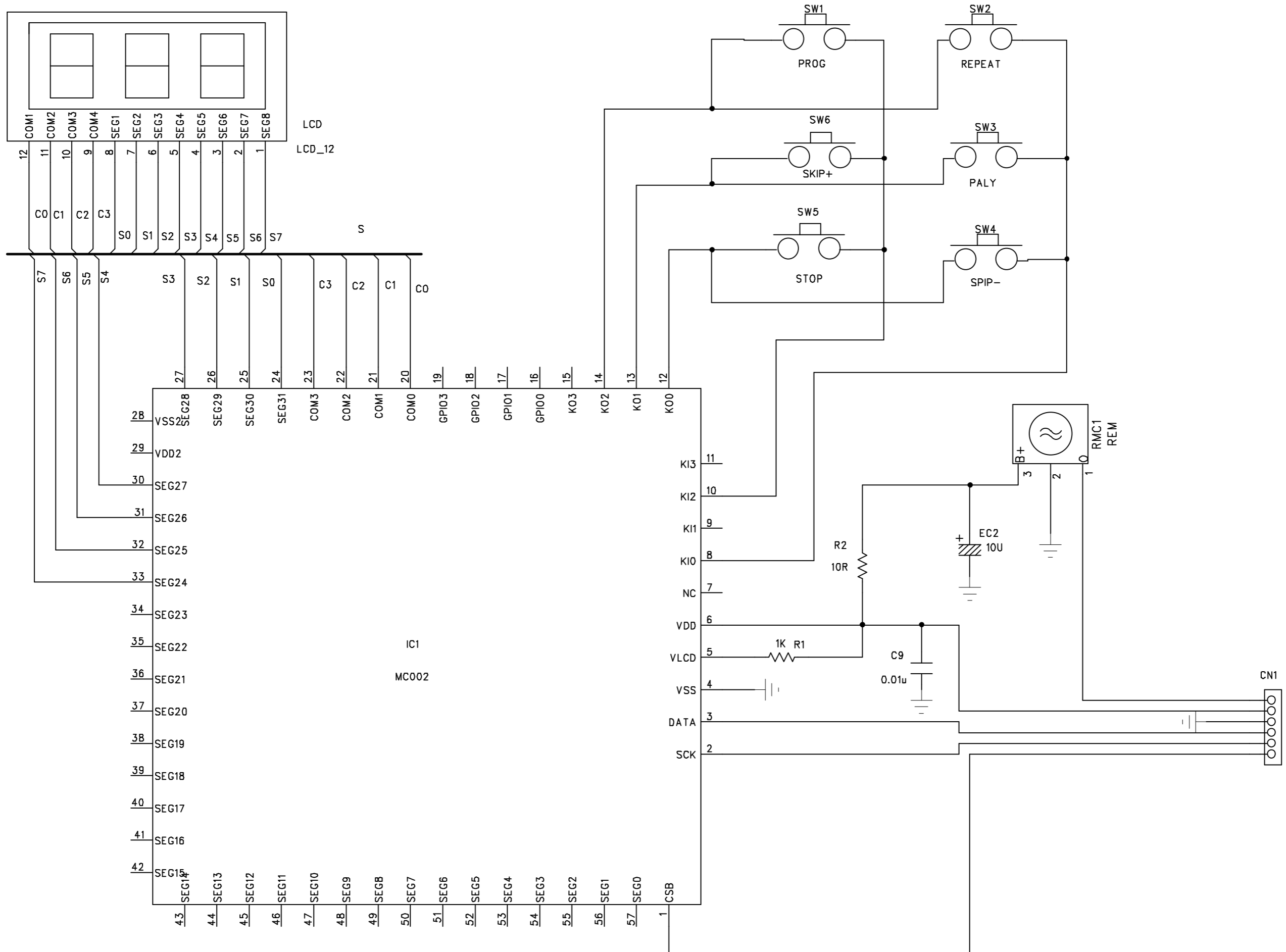
SET BLOCK DIAGRAM



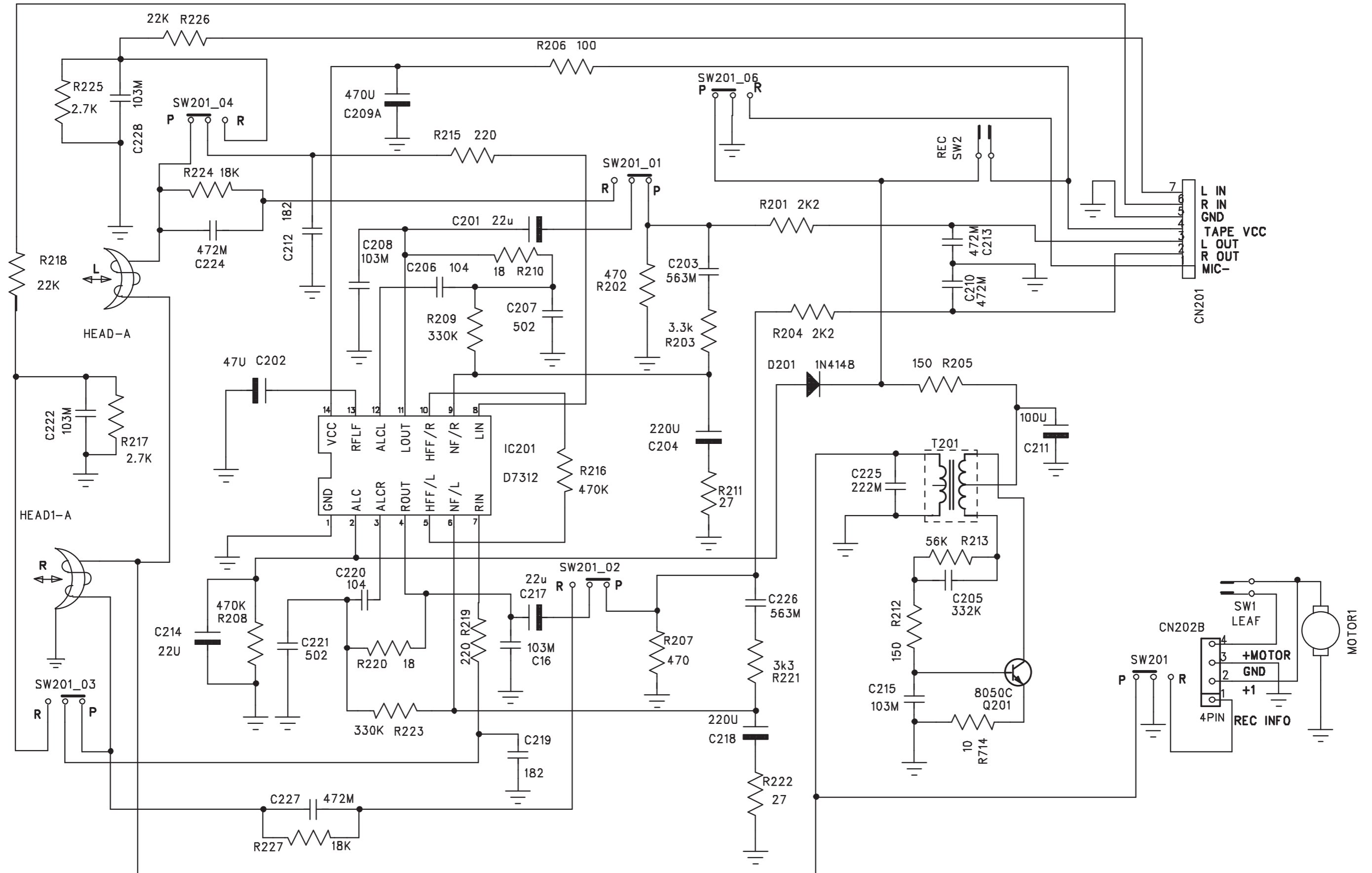
SET WIRING DIAGRAM



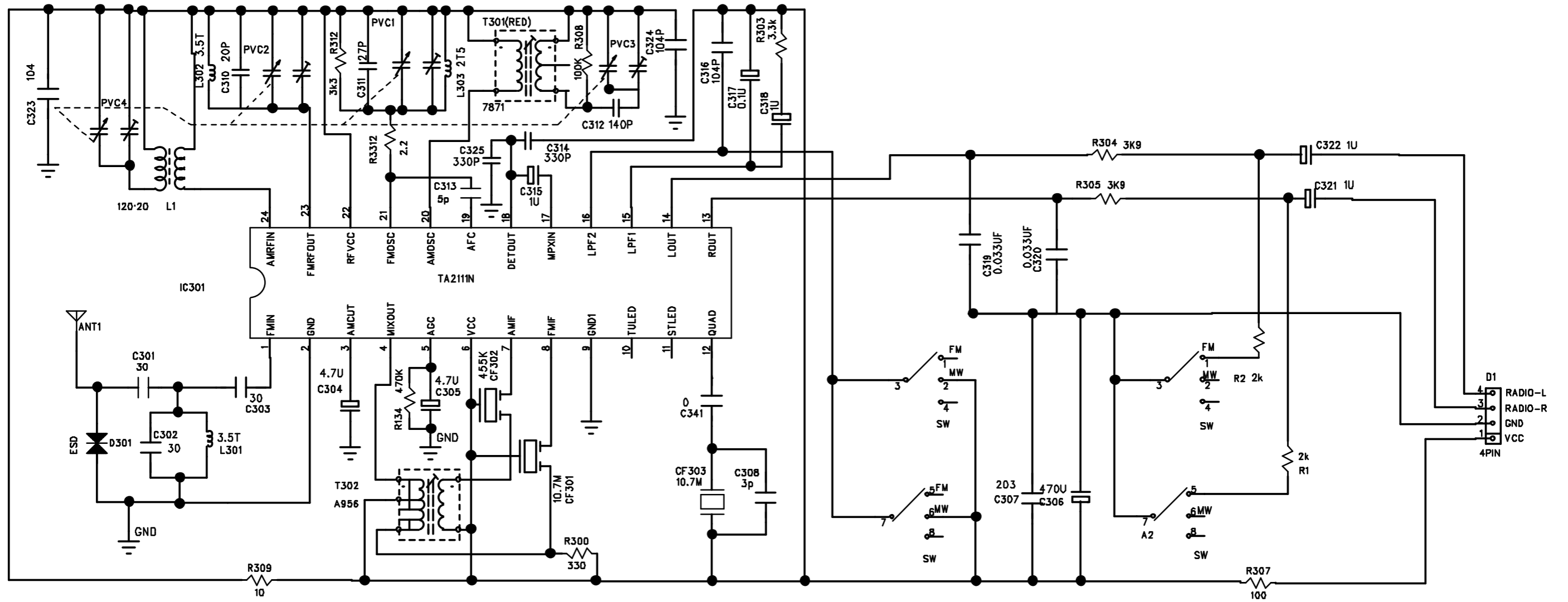
CIRCUIT DIAGRAM - CONTROL BOARD



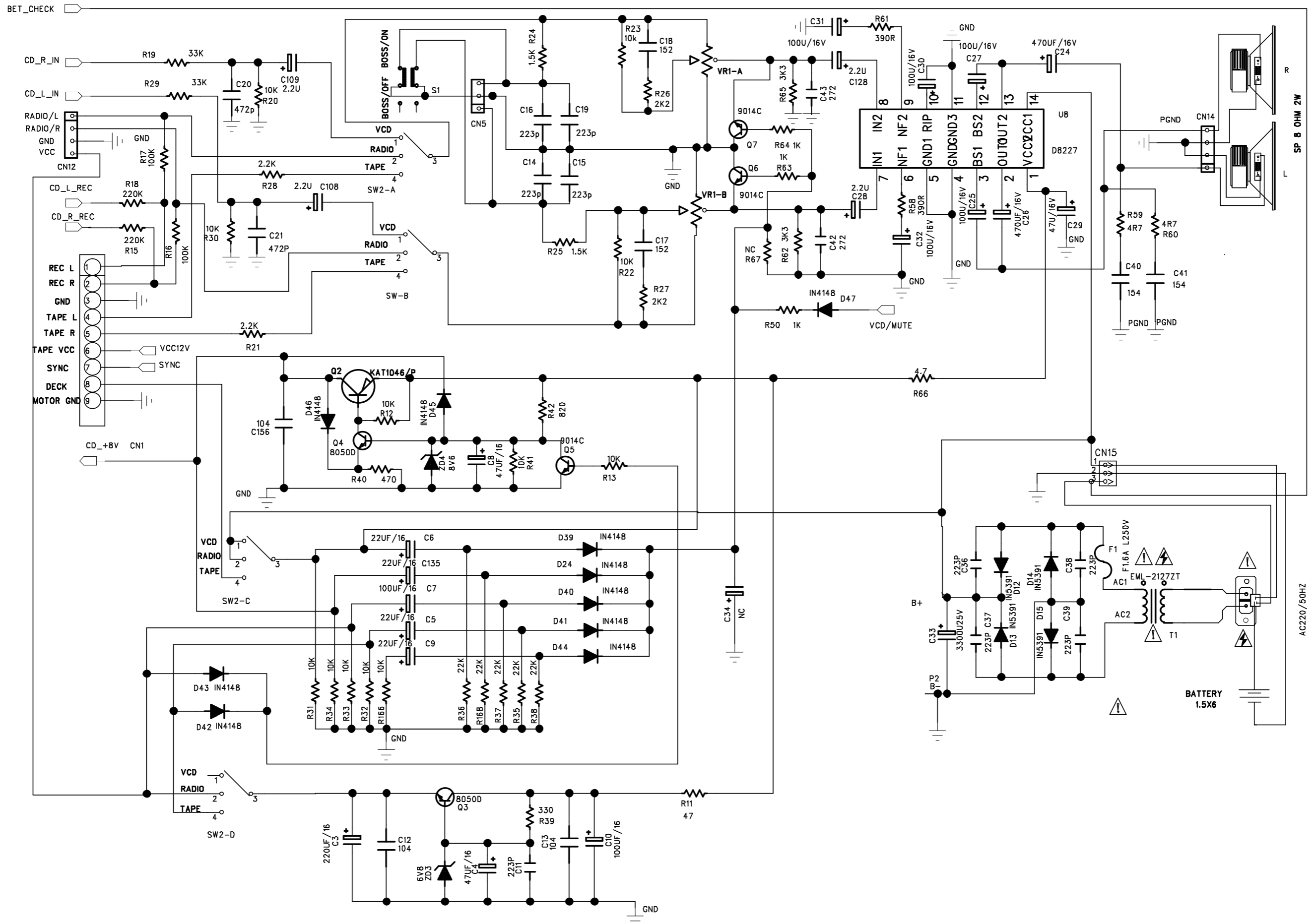
CIRCUIT DIAGRAM - CASSETTE BOARD



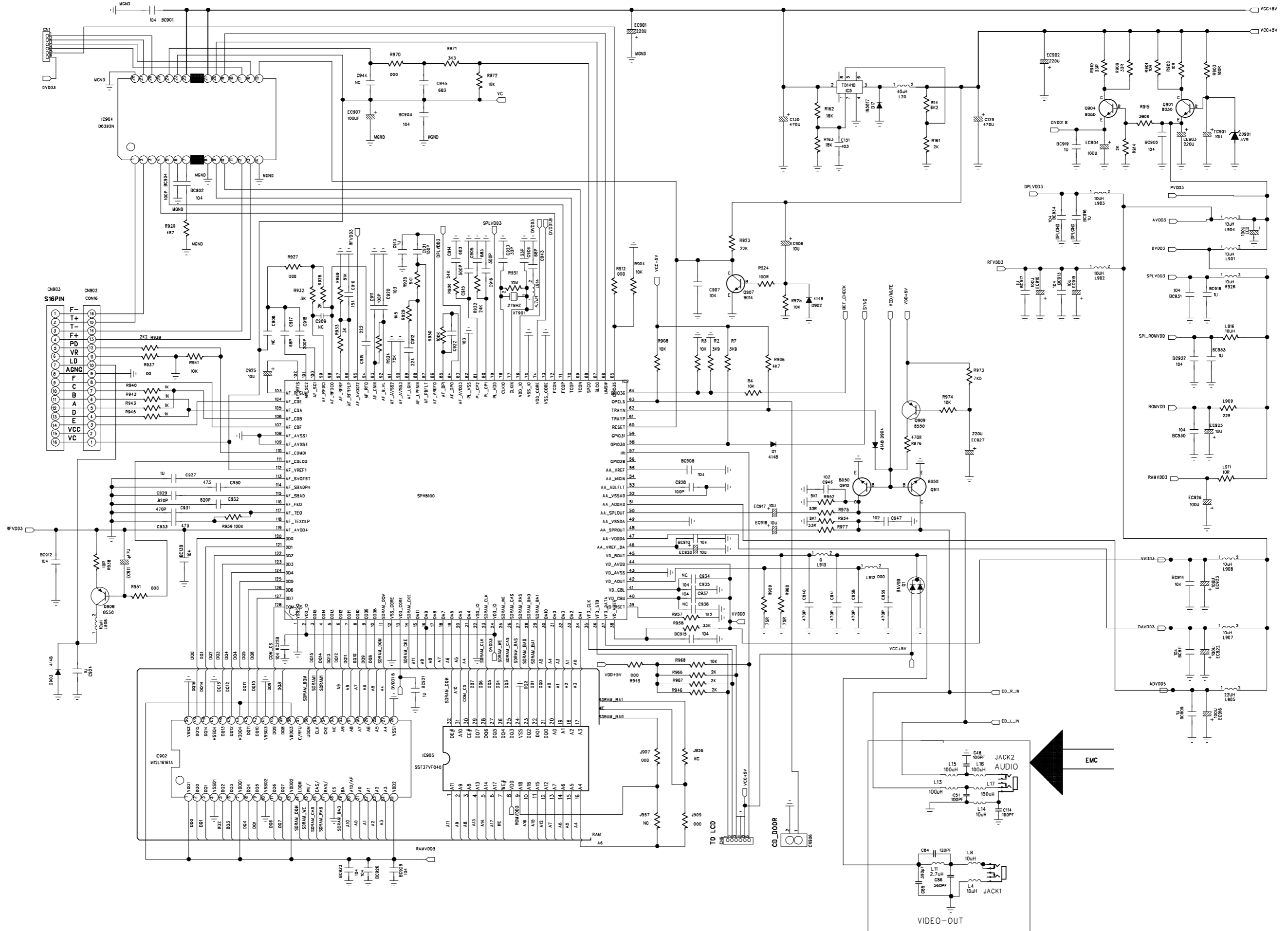
CIRCUIT DIAGARM - TUNER BOARD



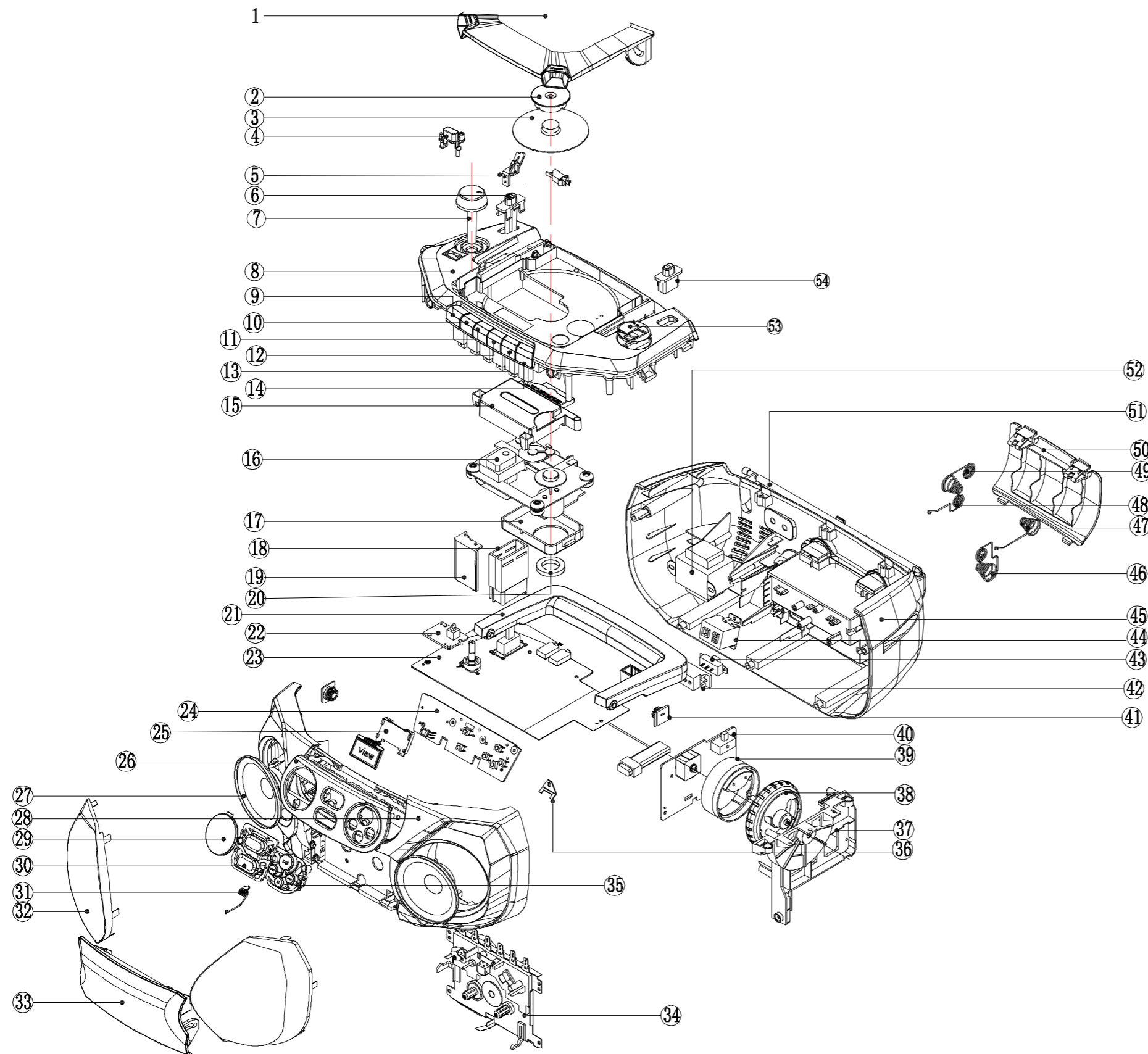
CIRCUIT DIAGRAM - POWER PART



CIRCUIT DIAGRAM - VCD BOARD



EXPLODED VIEW DIAGRAM



①	CD door	③①	Program&Repeat key
②	CD FIX BRACKET	③②	Cassette door spring
③	STABILIZER	③③	SPK GRILL
④	DBB KNOB	③④	Cassette door
⑤	Recording bracket	③⑤	Cassette deck
⑥	Source knob	③⑥	Play/pause&Stop key
⑦	Volume knob	③⑦	speak handed
⑧	Top cabinet	③⑧	Tuning knob bracket
⑨	Cassette key-pause	③⑨	Tuning knob
⑩	Cassette key-stop	④①	Tuning knob scale
⑪	Cassette key-F. FWD	④②	Tuning PCB
⑫	Cassette key-REW	④③	Damper Gear Holder
⑬	Cassette key-play	④④	AC VOLTAGE SELECT COVER
⑭	Cassette key-REC	④⑤	AC VOLTAGE SELECT SWITCH
⑮	CD pick up	④⑥	AC COVER
⑯	CD MECH	④⑦	Rear cabinet
⑰	CD BRACKET MAST	④⑧	Battery spring
⑱	Source knob accessory	④⑨	Battery spring
⑲	dust bracket	⑤①	Battery spring
⑳	magnet ring	⑤②	Battery spring
㉑	Hander	⑤③	Battery door
㉒	DBB PCB	⑤④	receiving antenna
㉓	MAIN PCB	⑤⑤	transformer
㉔	Control PCB	⑤⑥	Tuning knob lens
㉕	Lcd bracket	⑤⑦	Band knob
㉖	Control panel		
㉗	speaker		
㉘	Front cabinet		
㉙	Display lens		

Service parts list

12	996510006685	RADIO BOARD RI\SECTION(55/98)
13	996510006686	VCD/AMP/POWER BOARD RI\SECTION
14	996510006687	ELECT DECK BOARD HI\SECTION
15	996510006688	CONTROL BOARD RI/SECTION
21	996510006689	7233 CD DOOR SPING (EP)
22	996510006690	CASSETTE DOOR SPRING D=0.8mm
221	996510006694	AZ5160 BATTERY DOOR
222	996510006695	AZ5160 TRANSFORMER,UL/VDE-STD
223	994000004085	7871 ROD ANTENNA 2 SEG
225	996510006696	AZ5160 CASS DOOR
226	996510006697	AZ5160 CD DOOR
227	996510006698	SPEAKER 3" 8ohm 1W,ROUND SIL
228	996510006699	VDE-APP AC CORD,W/SOCKET,PLUG
229	994000004089	RCA TRIBLE WIRE #26,2M
23	994000004061	7871 CD RUBBER CUSHION BLACK
24	994000005189	7871 CD RUBBER CUSHION PINK
25	996510006691	7871 CD PICK UP DUSTCOVER
26	996510006692	AZ5160 GEAR
27	996510006693	AZ5160 GEAR STAND
28	996500038819	CD MECHANISM SANYO DA11VF
29	996510004731	16P FT FLEXIBLE CABLEL100

Note: Only these parts mentioned in the list are normal service parts.